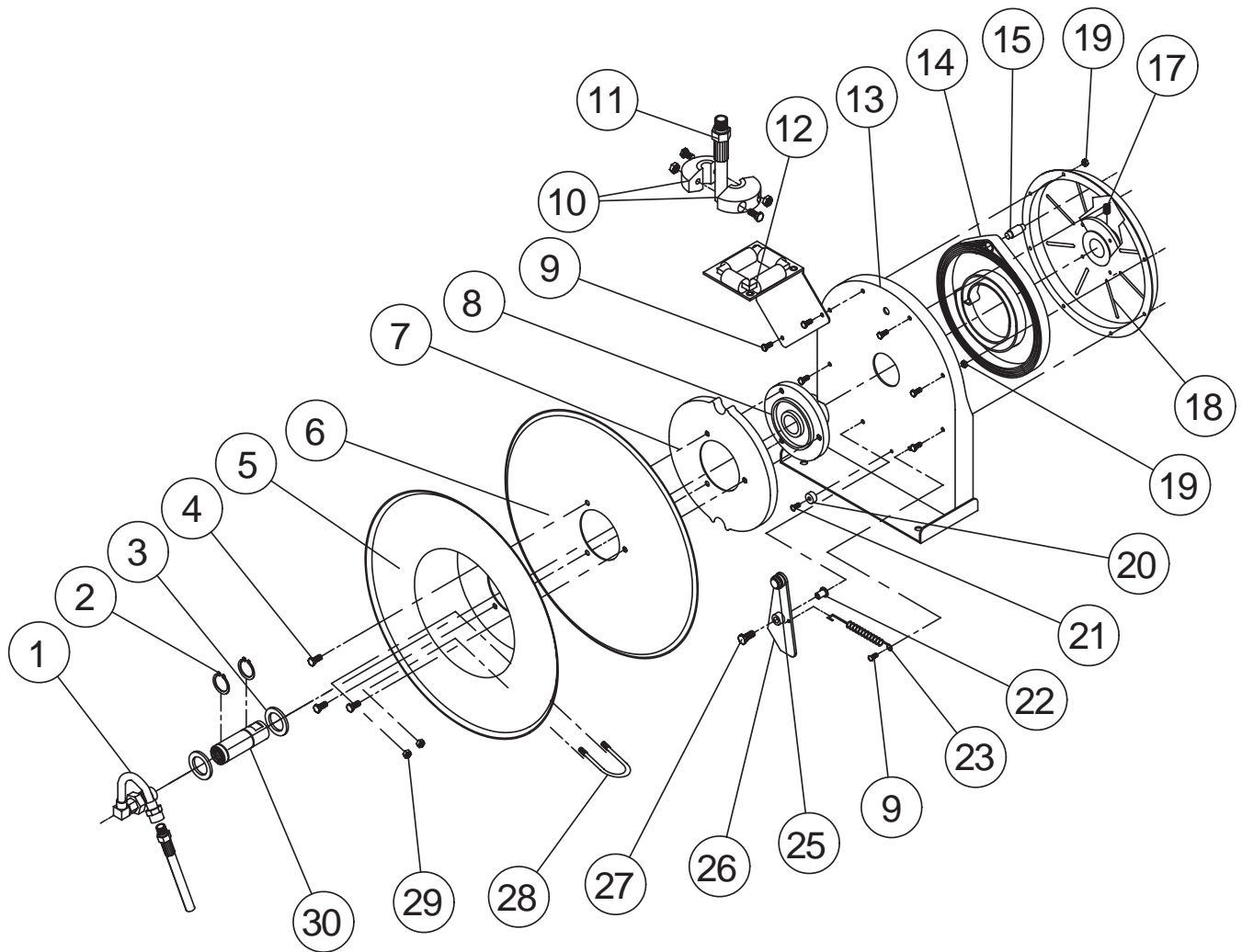


Series 4000 Spring Driven Hose Reels



Item #	Part #	# Req.	Description	Item #	Part #	# Req.	Description	Item #	Part #	# Req.	Description
1	S600886	1	Swivel Assembly	12	S400107	1	Guide Arm Assembly	23	S400018	1	Latch Spring
2	300031	2	1" Snap Ring	13	400101	1	Base Assembly	25	400020	1	O-ring
3	300034	2	Spacing Washer	15	S261360	1	Spring Case Stud	26	S400109	1	Latch Plate Assembly
4	S295-102	3	1/4" Plastite Hex Screw	17	300006	1	3/8-16 x 1/2" Set Screw	27	300035	1	10-32 x 1" Mach. Screw
5	400005	1	Flange Assembly	18	S400103	1	Spring Case Assembly	28	3-117440	1	U-bolt
6	400006	1	Sheave Disk	19	S82-15	8	10-32 x 3/8" Nyloc Nut	29	261650-1	2	1/4-20 Zinc Nyloc Nut
7	S400019	1	Latch Cam	20	S400021	1	Latch Bumper	30	S400015	1	Main Shaft
8	S260648	1	Spring Arbor	21	S32-136	1	10-24 x 3/8" Mach. Screw				
9	300002	7	10-32 x 1/2" Screw	22	S400012	1	Latch Bushing				

Item #	Description	# Req.	4400 OLP	4420 OLP	4425 OLP	4430 OLP	4435 OLP	4600 OLP	4615 OLP	4617 OLP	4620 OLP	4625 OLP
10	Bumper Stop Assembly	1	None	1-HR1004A	1-HR1004A	1-HR1004A	1-HR1004A	None	1-HR1004	1-HR1004	1-HR1004	1-HR1004
11	Hose Assembly	1	None	S601001-20	S601001-25	601000-30	S601001-35	None	601013-15	601011-17	601011-20	S601013-25
14	Drive Spring Assembly	1	S400030	S400030	S400030	S400030	S400030	S404230	S404230	S404230	S404230	S404230
Hose I.D. and Length			None	1/4" x 20'	1/4" x 25'	1/4" x 30'	1/4" x 35'	None	3/8" x 15'	3/8" x 17'	3/8" x 20'	3/8" x 25'
Reel Inlet Connection			3/8" F.P.T.	3/8" F.P.T.	3/8" F.P.T.	3/8" F.P.T.	3/8" F.P.T.	3/8" F.P.T.	3/8" F.P.T.	3/8" F.P.T.	3/8" F.P.T.	3/8" F.P.T.
Max. Operating Pressure			500 P.S.I.	300 P.S.I.	300 P.S.I.	300 P.S.I.	300 P.S.I.	500 P.S.I.	300 P.S.I.	300 P.S.I.	300 P.S.I.	300 P.S.I.
Max. Operating Temperature			210 °F	150 °F	150 °F	150 °F	150 °F	210 °F	150 °F	150 °F	150 °F	150 °F